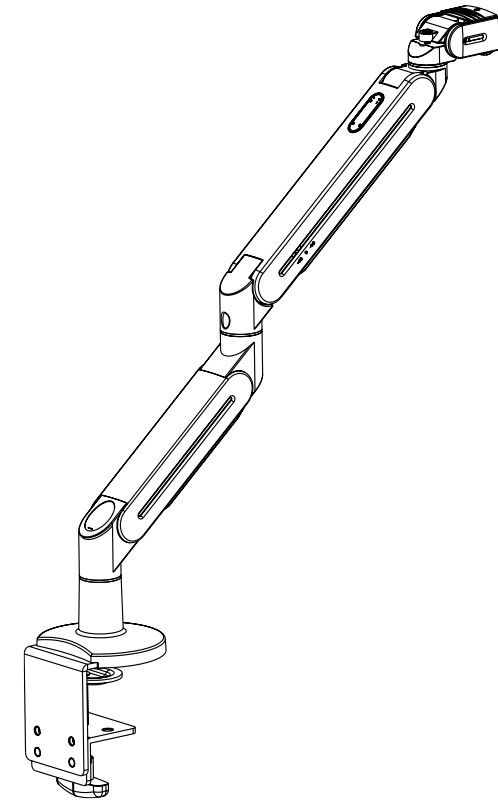


Single Monitor Arm

Assembly Instructions



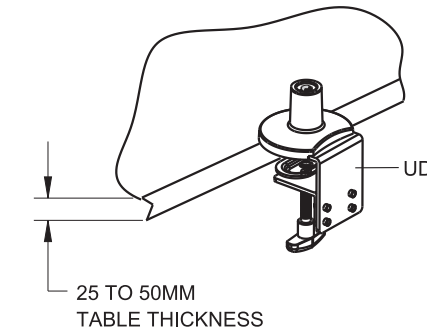
Part Code	Part Name	Qty
CS	1000185 LP SOCK HD CAP M4X10	4
CP	SOCKET HD CAP SCREW M8X35	1
AA	1000091 FLAT HD SOCK CAP M6X15	4
AU	1003165 FLAT HD SOCK CAP M6X25	4
UA	1002365 SOCKET HD CAP M12X60	1
UB	VESA PLATE	1
UC	ASSEMBLED ARM SINGLE	1
UD	CLAMP MOUNT BASE SINGLE	1
UF	CLAMP THR HO MNT BASE SG	1
UG	MONITOR ARM BASE	1
UH	ARM CAP ELBOW	1
UJ	FLAT WASHER	1
UK	1000563 MONITOR ARM BRACKET	1
UL	1000564 MONITOR ARM BRACKET PLATE	1
UM	1000723 COVER MONITOR 120	1
ZW	1003037 HEX B WRENCH 3 MM	1
ZV	1003038 HEX B WRENCH 4 MM	1
ZT	1003267 HEX B WRENCH 6 MM	1
ZR	1003269 HEX B WRENCH 10 MM	1
ZD	1003468 HEX B WRENCH STRAIGHT 6 MM	1
YZ	1003527 CLOSED END WRENCH 6 MM	1

For assistance, call [888] 471-1616, or www.youtube.com/user/ideskinc1

PRIVATE OFFICE/DESKING

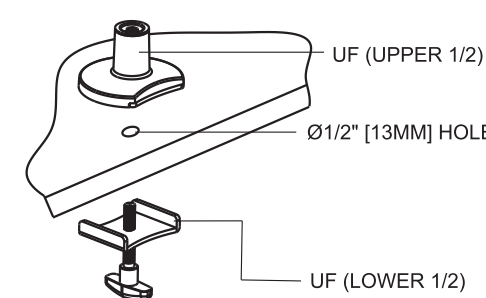
OPTION 1 CLAMP MOUNT OPTION

STEP 1
INSTALL CLAMP

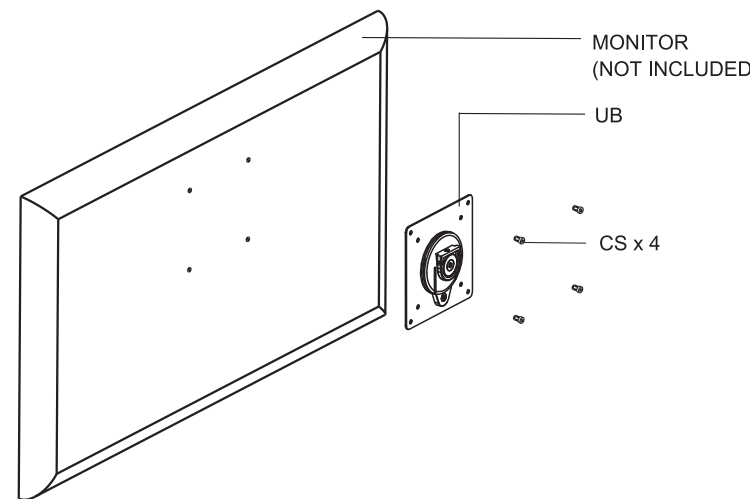


OPTION 2 THROUGH HOLE MOUNT OPTION

STEP 1
DRILL Ø1/2" [13MM]
THRU HOLE AT
DESIRED LOCATION

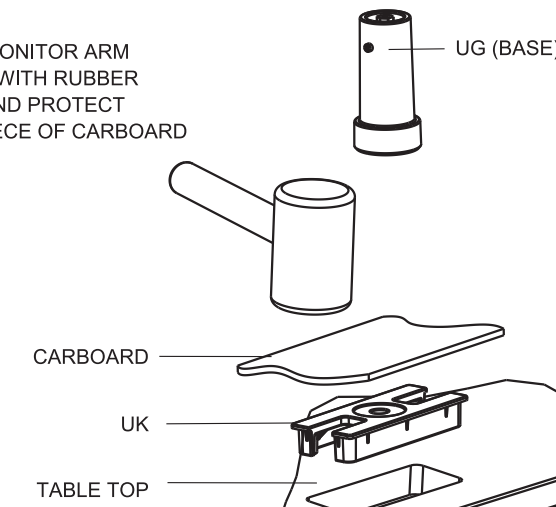


ALL OPTIONS INSTALL VESA PLATE

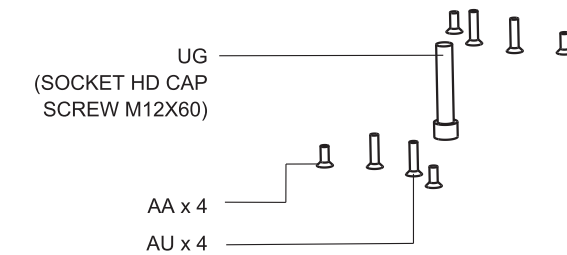


OPTION 3 GROMMET MOUNT OPTION

STEP 1
INSTALL MONITOR ARM
BRACKET WITH RUBBER
MALLET AND PROTECT
WITH A PIECE OF CARBOARD



STEP 2
INSTALL MONITOR ARM BRACKET PLATE
UL WITH SCREWS TO BOTTOM OF
WORK SURFACE TO
SECURE MONITOR
ARM BRACKET UK

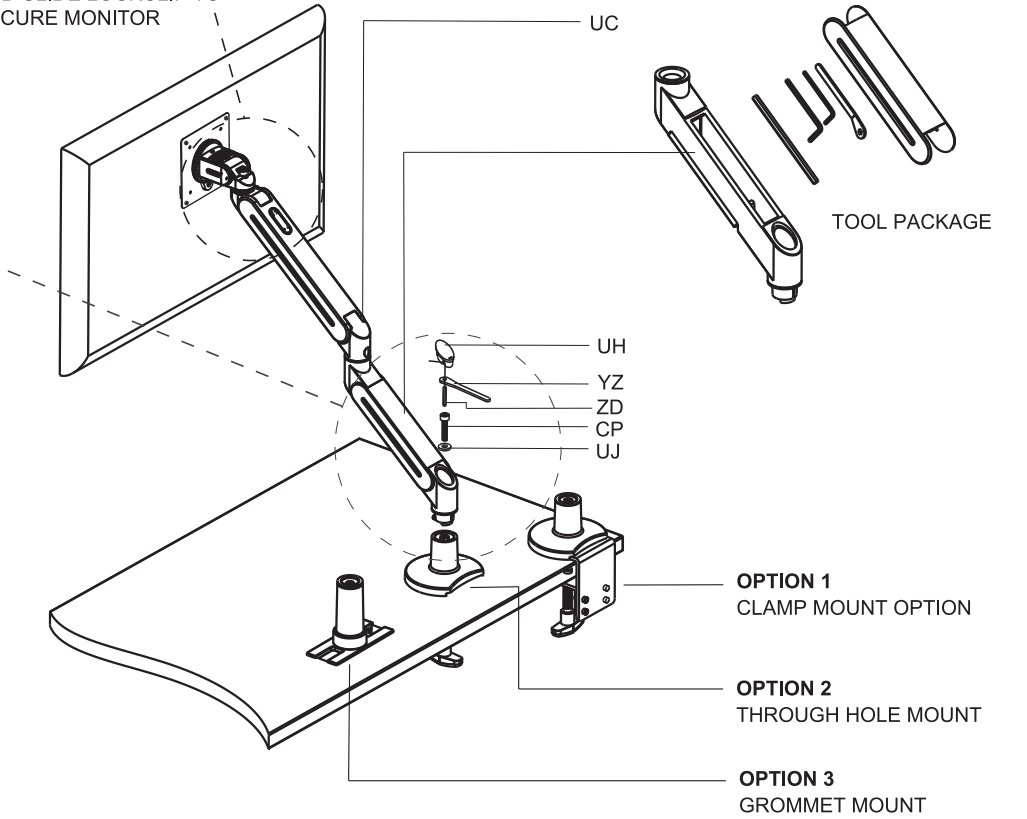


PRIVATE OFFICE/DESKING [Assembly Instructions Single Monitor Arm - Continues from page 2]

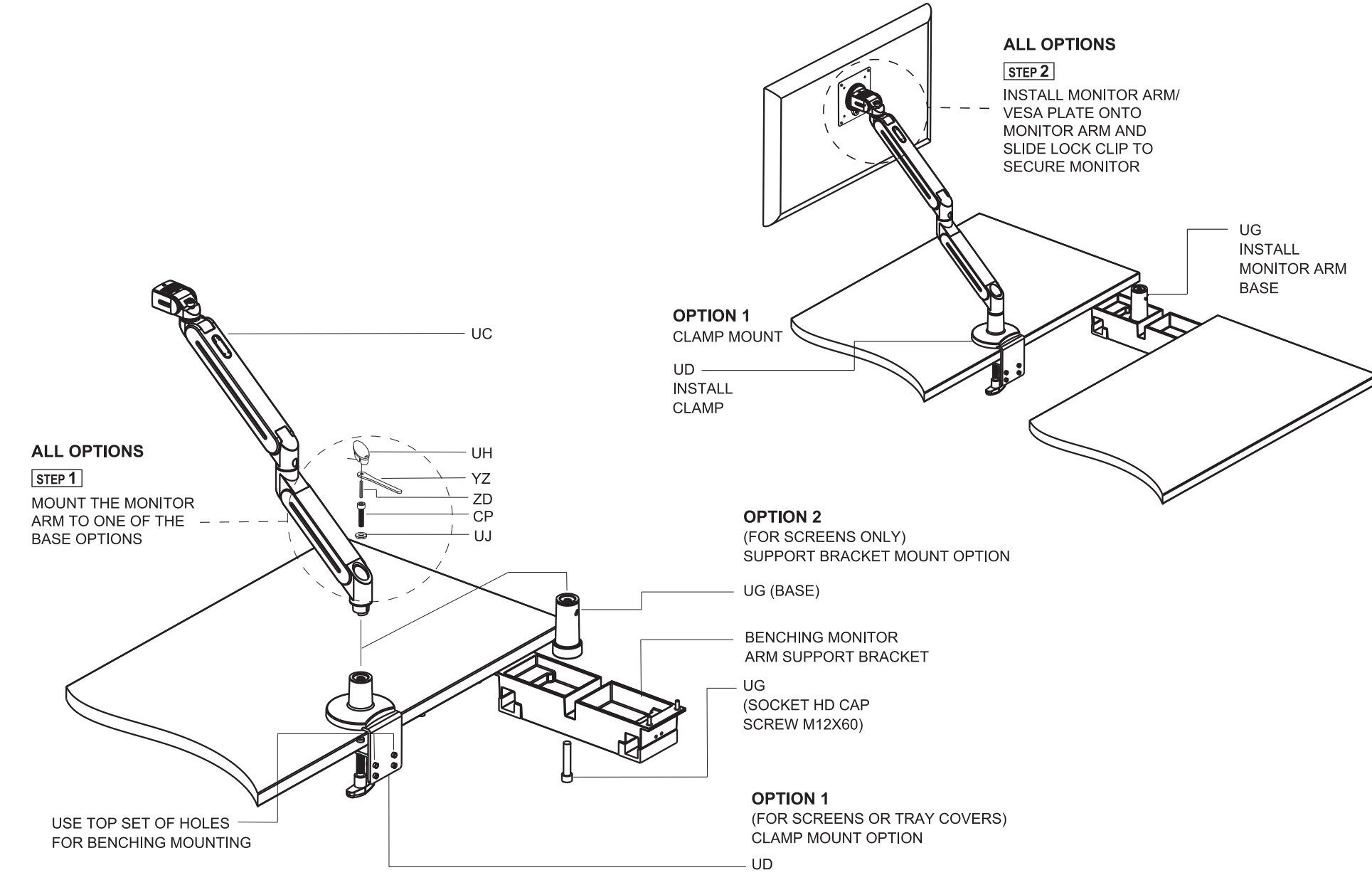
ALL OPTIONS INSTALL MONITOR ARM

STEP 1
INSTALL MONITOR ARM
INTO MONITOR BRACKET
AND INSTALL SCREW AND CAP

STEP 2
INSTALL MONITOR ARM/VESA
PLATE ONTO MONITOR ARM
AND SLIDE LOCKCLIP TO
SECURE MONITOR



BENCHING [Assembly Instructions Single Monitor Arm]



BENCHING [Assembly Instructions Single Monitor Arm - Continues from page 4]

